



Objective: REVIEW

Day 2

IV. Multiplying and Dividing Decimals

A. Calculate each product by multiplying as with whole numbers. Then determine the correct place of the decimal point.

1. 4.6×3.2

2. 2.8×5.7

3. 1.05×8.3

4. 6.14×7.5

5. 2.037×9.4

6. 3.005×4.08

B. Estimate each product to the nearest whole number. Then calculate each product.

1. 5.9×2.4

2. 3.1×6.2

3. 4.17×7.2

4. 2.06×8.25

5. 9.154×1.62

6. 8.361×2.042

C. Calculate each quotient.

1. $24.38 \div 4.6$

2. $77.28 \div 8.4$

3. $11.88 \div 2.2$

4. $50.63 \div 6.1$

5. $10.025 \div 2.5$

6. $9.632 \div 3.2$

D. Estimate each quotient to the nearest whole number. Then calculate each quotient.

1. $16.1 \div 3.5$

2. $48.14 \div 8.3$

3. $59.52 \div 6.4$

4. $7.524 \div 4.4$

5. $25.012 \div 5.2$

6. $5.568 \div 2.4$

V. Decimal Products and Quotients

A. Given each product or quotient, determine the correct placement of the decimal point.

1. $3.68 \times 5.26 = 193568$

2. $231.04 \div 152 = 152$

3. $0.8962 \times 91.21 = 81742402$

4. $4.5 \times 2.004 = 9018$

5. $8.94 \div 0.16 = 55875$

6. $73.92 \div 0.6 = 1232$

B. Use the fact that $26 \times 31 = 806$ to determine each product or quotient.

1. $26 \times 3.1 = \underline{\hspace{2cm}}$

2. $260 \times 31 = \underline{\hspace{2cm}}$

3. $26 \times 3100 = \underline{\hspace{2cm}}$

4. $0.26 \times 3.1 = \underline{\hspace{2cm}}$

5. $806 \div 3.1 = \underline{\hspace{2cm}}$

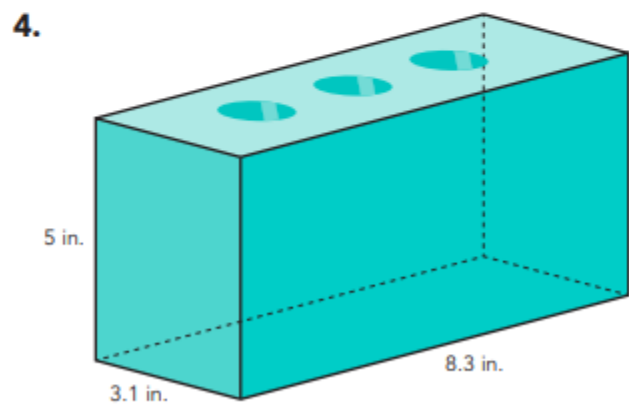
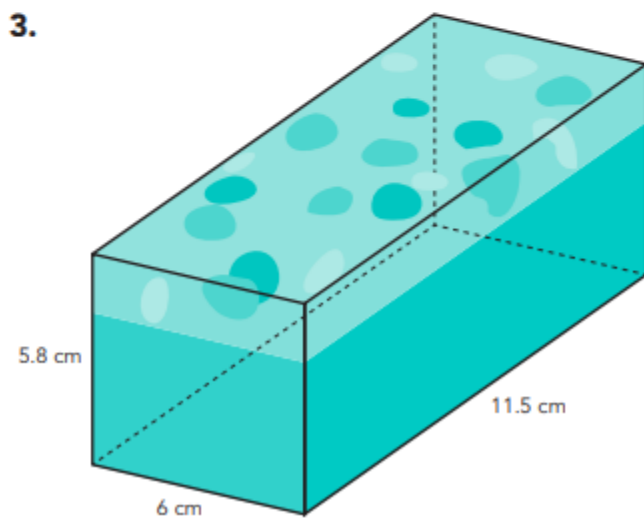
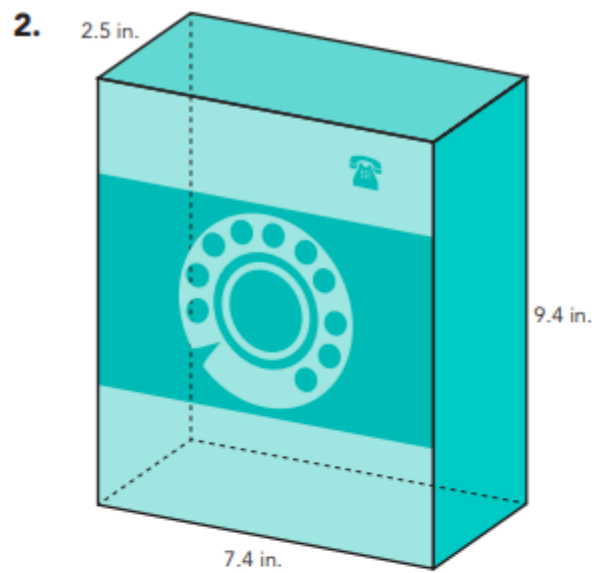
6. $80,600 \div 31 = \underline{\hspace{2cm}}$

7. $0.0806 \div 26 = \underline{\hspace{2cm}}$

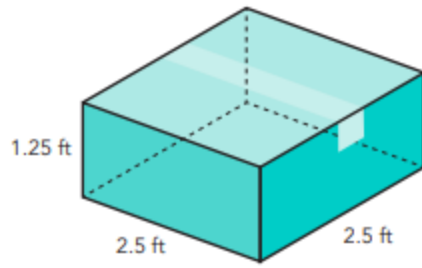
8. $8.06 \div 2.6 = \underline{\hspace{2cm}}$

VI. Calculating Volume of Right Prisms

A. Determine the volume of each right rectangular prism.



5.



6.

